

Part number

CYR 24.4



Brief description:

cable passing hoods, 4 holes for round cables Ø 5 13,5 mm

Product description

Series	enclosures connectors accessories
Product type	cable passing hoods
Style	4 holes for round cables Ø 5 13,5 mm
Family	accessories for multipole connectors

Further technical details

Weight	265,00 g
---------------	----------

Approvals / Standards

Quality mark	UL ¹²⁵ (type:12), EAC
Conformity	CQC, CE

General ordering information

EAN13 code	8015747042949
Tariff number	85369095

Packaging Information

Packaging length	208,00 mm
Packaging height	140,00 mm
Packaging width	290,00 mm
Packaging weight	5,29 kg
Packaging volume	8,44 dm ³
Packaging description	Carton box
Packaging quantity	20 Pcs
Packaging EAN code	8015747042956
Sub-packaging weight	0,26 kg
Sub-packaging description	Plastic packaging
Sub-packaging quantity	1 Pcs
Sub-packaging EAN barcode	8015747042963

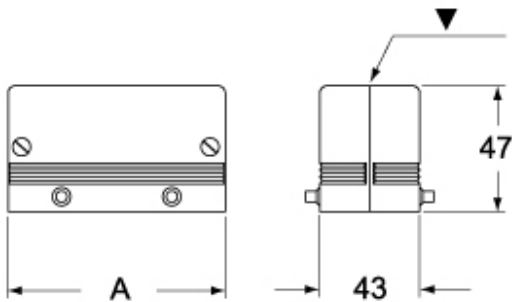
Part number

CYR 24.4



Catalogue drawings

CYR



	A		nr.
CYR 16.3	93,3	Ø 5 / 13,3	3
CYR 24.4	120	Ø 5 / 13,3	4

Notes

CYR enclosures for round cables

The CYR enclosures are used in installations that require a passage for round cables for data transmission (e.g. computers or PLC) via equipment such as command or control panels, ensuring a good condition of the cable connections.

The enclosures are in two parts and have sealing gaskets to preserve the degree of protection of the equipment. The enclosures also contain a rapid cable block device.

The CYR 16.3 and 24.4 can be used with the bulkhead enclosures CHI 16 and CHI 24 respectively.

